

## Storage Instructions

### Folding Trailers

**1.** Unscrew the frame retention carriage bolts from each side of the trailer (one per side). These bolts will be located near the caster assembly on each side of the trailer (Fig. 1A).

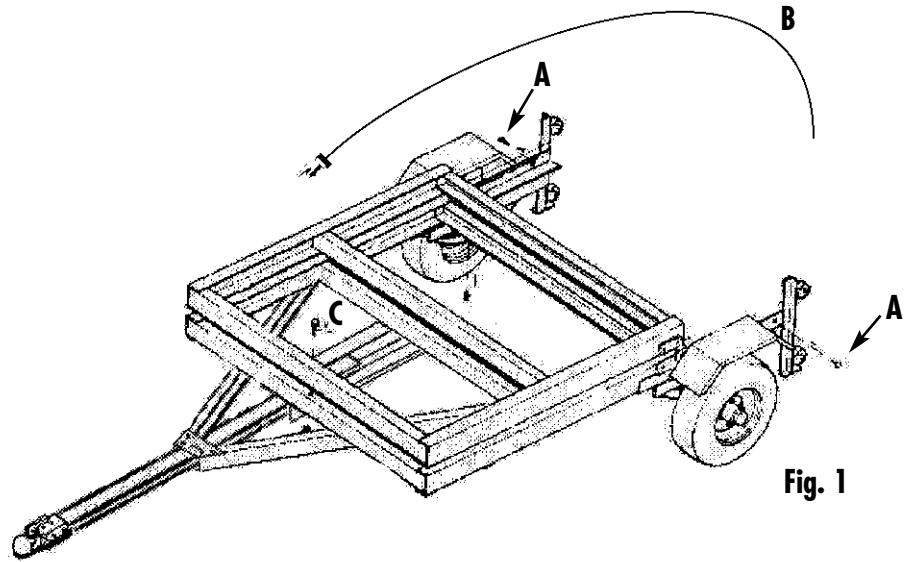


Fig. 1

**2.** Fold the rear frame section over onto the front section (Fig. 1B). Secure the frame sections together using the carriage bolts removed in step 1 (Fig. 1C).

**3.** Carefully tilt the trailer up onto the storage caster assembly (Fig. 2A).

**4.** Remove the trailer tongue retention bolt (Fig. 2B) and carefully fold the tongue down into the storage position (Fig. 2C).

**Caution:** Take care when rolling the trailer into its storage position to prevent damage to the caster assembly. It is advisable to break the trailer down as close to the storage area as possible.

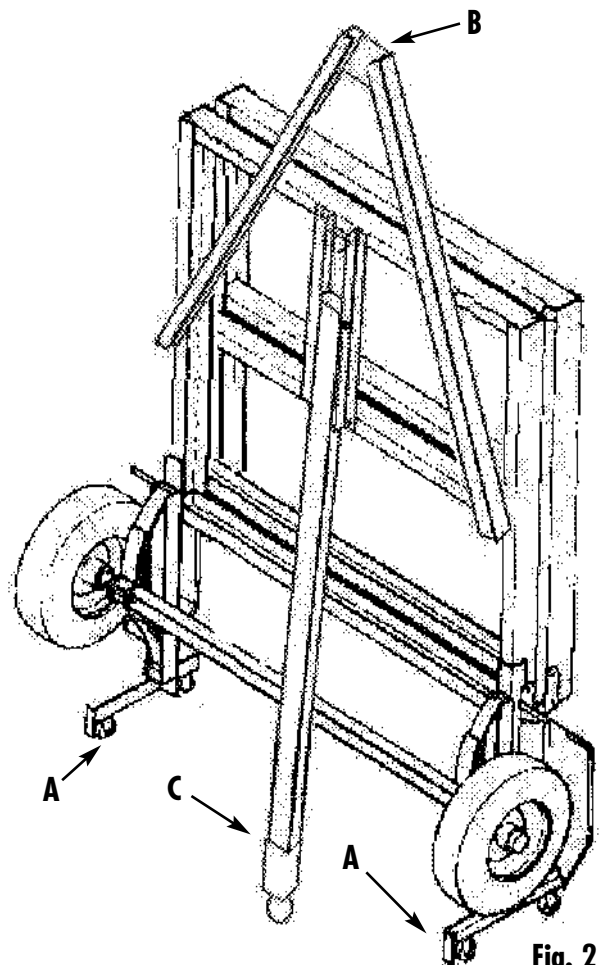


Fig. 2